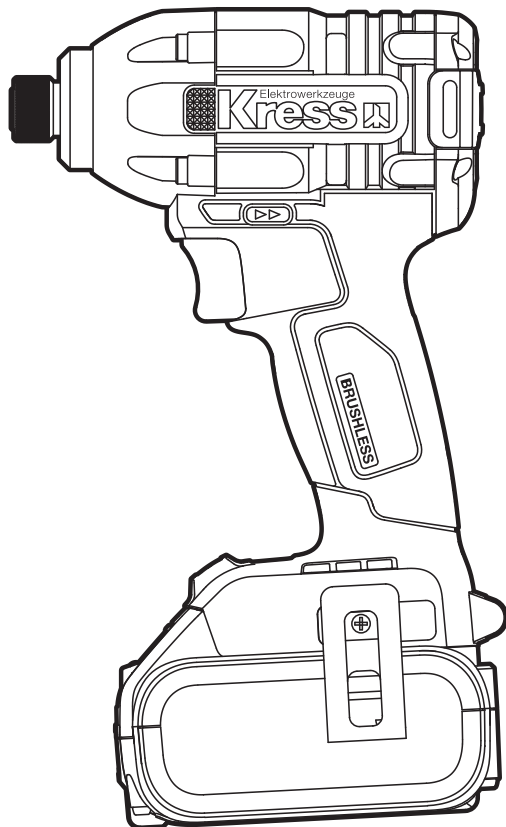


# Elektrowerkzeuge **Kress**



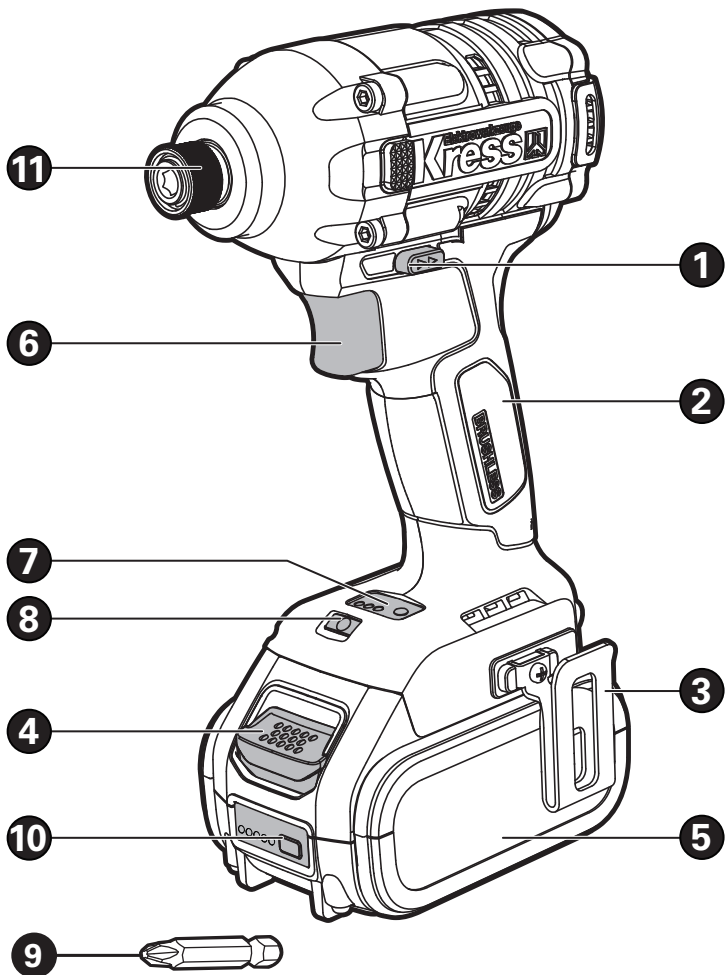
Lithium-Ion brushless impact driver

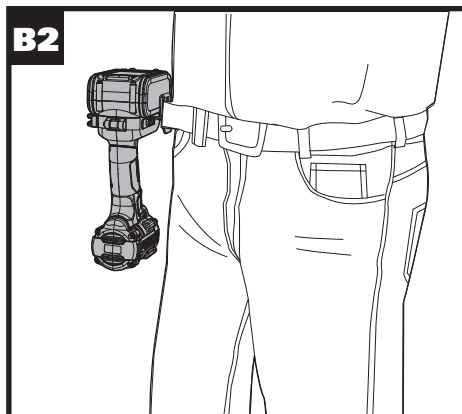
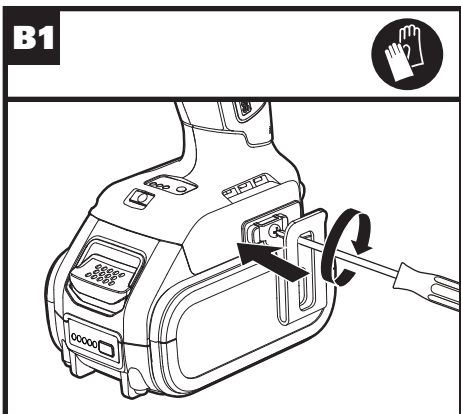
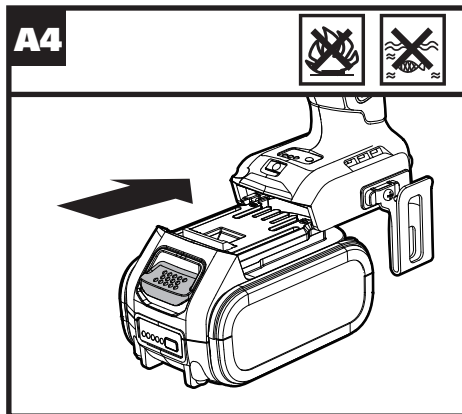
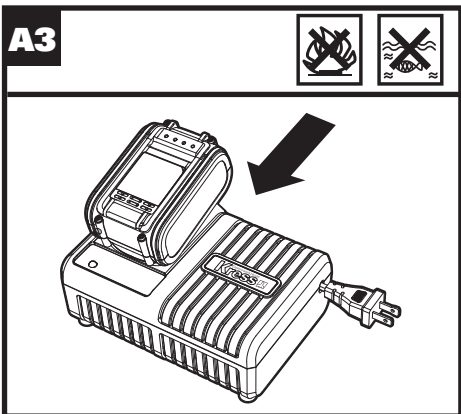
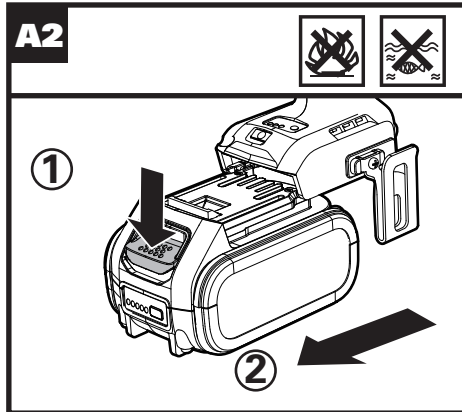
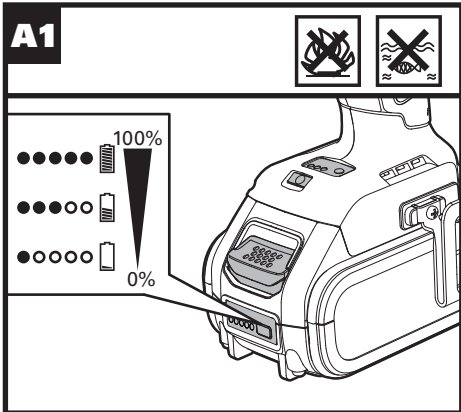
EN P06

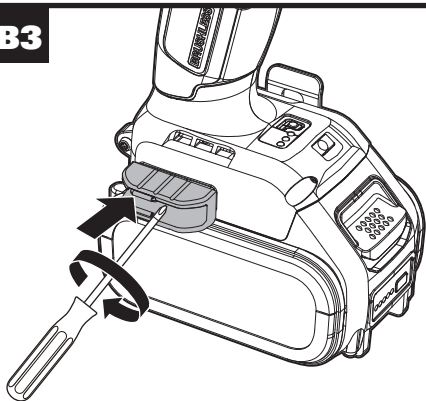
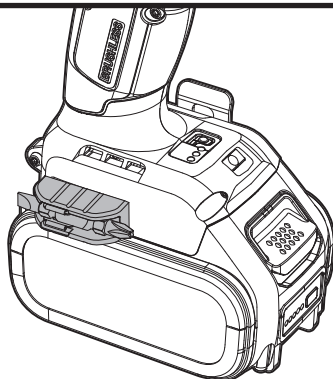
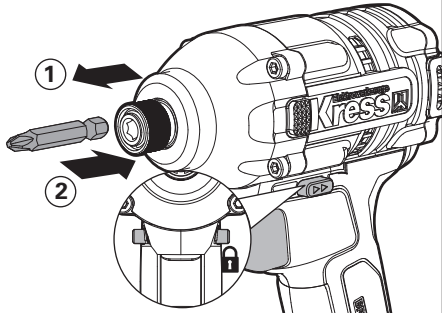
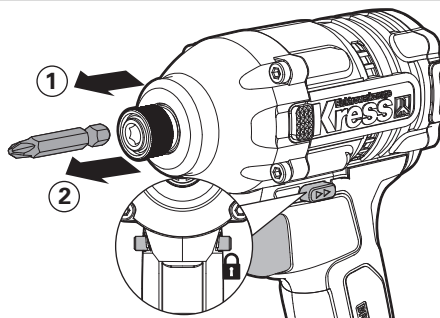
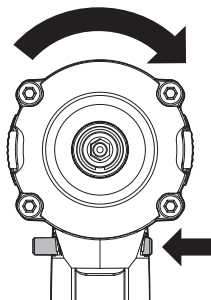
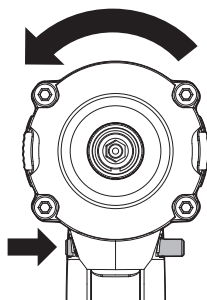
Шуруповерт ударный бесщеточный аккумуляторный (Литий-ионный)

RU P11

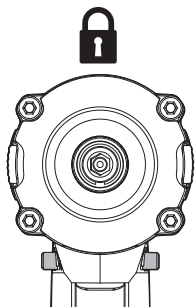
**KU290 KU290.9**





**B3****B4****C1****C2****D1****D2**

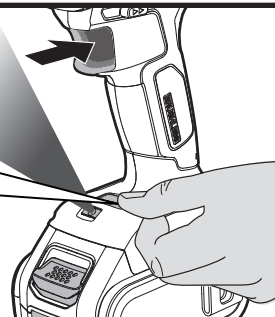
**D3**



**E**



- ○ ● 1: 0-900/min
- ● ○ 2: 0-2400/min
- ○ ○ 3: 0-3000/min



# PRODUCT SAFETY

## GENERAL POWER TOOL SAFETY WARNINGS



**WARNING** Read all safety warnings, instructions, illustrations and specifications provided with this power tool. Failure to follow all instructions listed below may result in electric shock, fire and/or serious injury.

**Save all warnings and instructions for future reference.**

The term "power tool" in the warnings refers to your mains-operated (corded) power tool or battery-operated (cordless) power tool.

### 1) Work area safety

- a) **Keep work area clean and well lit.** Cluttered or dark areas invite accidents.
- b) **Do not operate power tools in explosive atmospheres, such as in the presence of flammable liquids, gases or dust.** Power tools create sparks which may ignite the dust or fumes.
- c) **Keep children and bystanders away while operating a power tool.** Distractions can cause you to lose control.

### 2) Electrical safety

- a) **Power tool plugs must match the outlet. Never modify the plug in any way. Do not use any adapter plugs with earthed (grounded) power tools.** Unmodified plugs and matching outlets will reduce risk of electric shock.
- b) **Avoid body contact with earthed or grounded surfaces, such as pipes, radiators, ranges and refrigerators.** There is an increased risk of electric shock if your body is earthed or grounded.
- c) **Do not expose power tools to rain or wet conditions.** Water entering a power tool will increase the risk of electric shock.
- d) **Do not abuse the cord. Never use the cord for carrying, pulling or unplugging the power tool. Keep cord away from heat, oil, sharp edges or moving parts.** Damaged or entangled cords increase the risk of electric shock.
- e) **When operating a power tool outdoors, use an extension cord suitable for outdoor use.** Use of a cord suitable for outdoor use reduces the risk of electric shock.
- f) **If operating a power tool in a damp location is unavoidable, use a residual current device (RCD) protected supply.** Use of an RCD reduces the risk of electric shock.

### 3) Personal safety

- a) **Stay alert, watch what you are doing and use common sense when operating a power tool. Do not use a power tool while you are tired or under the influence of drugs, alcohol or medication.** A moment of

inattention while operating power tools may result in serious personal injury.

- b) **Use personal protective equipment. Always wear eye protection.** Protective equipment such as dust mask, non-skid safety shoes, hard hat, or hearing protection used for appropriate conditions will reduce personal injuries.
- c) **Prevent unintentional starting. Ensure the switch is in the off-position before connecting to power source and/or battery pack, picking up or carrying the tool.** Carrying power tools with your finger on the switch or energising power tools that have the switch on invites accidents.
- d) **Remove any adjusting key or wrench before turning the power tool on.** A wrench or a key left attached to a rotating part of the power tool may result in personal injury.
- e) **Do not overreach. Keep proper footing and balance at all times.** This enables better control of the power tool in unexpected situations.
- f) **Dress properly. Do not wear loose clothing or jewellery. Keep your hair, clothing and gloves away from moving parts.** Loose clothes, jewellery or long hair can be caught in moving parts.
- g) **If devices are provided for the connection of dust extraction and collection facilities, ensure these are connected and properly used.** Use of dust collection can reduce dust-related hazards.
- h) **Do not let familiarity gained from frequent use of tools allow you to become complacent and ignore tool safety principles.** A careless action can cause severe injury within a fraction of a second.
- 4) **Power tool use and care**
  - a) **Do not force the power tool. Use the correct power tool for your application.** The correct power tool will do the job better and safer at the rate for which it was designed.
  - b) **Do not use the power tool if the switch does not turn it on and off.** Any power tool that cannot be controlled with the switch is dangerous and must be repaired.
  - c) **Disconnect the plug from the power source and/or the battery pack from the power tool before making any adjustments, changing accessories, or storing power tools.** Such preventive safety measures reduce the risk of starting the power tool accidentally.
  - d) **Store idle power tools out of the reach of children and do not allow persons unfamiliar with the power tool or these instructions to operate the power tool.** Power tools are dangerous in the hands of untrained users.
  - e) **Maintain power tools. Check for misalignment or binding of moving parts, breakage of parts and any other condition that may affect the power tool's operation. If damaged, have the power tool repaired before use.** Many accidents are caused by

- poorly maintained power tools.
- f) Keep cutting tools sharp and clean.**  
*Properly maintained cutting tools with sharp cutting edges are less likely to bind and are easier to control.*
- g) Use the power tool, accessories and tool bits etc. in accordance with these instructions, taking into account the working conditions and the work to be performed.**  
*Use of the power tool for operations different from those intended could result in a hazardous situation.*
- h) Keep handles and grasping surfaces dry, clean and free from oil and grease.**  
*Slippery handles and grasping surfaces do not allow for safe handling and control of the tool in unexpected situations.*
- 5) Battery tool use and care**
- a) Recharge only with the charger specified by the manufacturer.**  
*A charger that is suitable for one type of battery pack may create a risk of fire when used with another battery pack.*
- b) Use power tools only with specifically designated battery packs.**  
*Use of any other battery packs may create a risk of injury and fire.*
- c) When battery pack is not in use, keep it away from other metal objects, like paper clips, coins, keys, nails, screws or other small metal objects, that can make a connection from one terminal to another.**  
*Shorting the battery terminals together may cause burns or a fire.*
- d) Under abusive conditions, liquid may be ejected from the battery; avoid contact. If contact accidentally occurs, flush with water. If liquid contacts eyes, additionally seek medical help.**  
*Liquid ejected from the battery may cause irritation or burns.*
- e) Do not use a battery pack or tool that is damaged or modified.**  
*Damaged or modified batteries may exhibit unpredictable behaviour resulting in fire, explosion or risk of injury.*
- f) Do not expose a battery pack or tool to fire or excessive temperature.**  
*Exposure to fire or temperature above 130 °C may cause explosion.*
- g) Follow all charging instructions and do not charge the battery pack or tool outside the temperature range specified in the instructions.**  
*Charging improperly or at temperatures outside the specified range may damage the battery and increase the risk of fire.*
- 6) Service**
- a) Have your power tool serviced by a qualified repair person using only identical replacement parts.**  
*This will ensure that the safety of the power tool is maintained.*
- b) Never service damaged battery packs.**  
*Service of battery packs should only be performed by the manufacturer or authorized service providers.*

## SCREWDRIVER SAFETY WARNING










- 1. Hold the power tool by insulated gripping surfaces, when performing an operation where the fastener may contact hidden wiring.**  
*Fasteners contacting a "live" wire may make exposed metal parts of the power tool "live" and could give the operator an electric shock.*






## SAFETY WARNINGS FOR BATTERY PACK

- a) Do not dismantle, open or shred cells or battery pack.**
- b) Do not short-circuit a battery pack. Do not store battery packs haphazardly in a box or drawer where they may short-circuit each other or be short-circuited by conductive materials.**  
*When battery pack is not in use, keep it away from other metal objects, like paper clips, coins, keys, nails, screws or other small metal objects, that can make a connection from one terminal to another. Shorting the battery terminals together may cause burns or a fire.*
- c) Do not expose battery pack to heat or fire. Avoid storage in direct sunlight.**
- d) Do not subject battery pack to mechanical shock.**
- e) In the event of battery leaking, do not allow the liquid to come into contact with the skin or eyes. If contact has been made, wash the affected area with copious amounts of water and seek medical advice.**
- f) Seek medical advice immediately if a cell or battery pack has been swallowed.**
- g) Keep battery pack clean and dry.**
- h) Wipe the battery pack terminals with a clean dry cloth if they become dirty.**
- i) Battery pack needs to be charged before use. Always refer to this instruction and use the correct charging procedure.**
- j) Do not maintain battery pack on charge when not in use.**
- k) After extended periods of storage, it may be necessary to charge and discharge the battery pack several times to obtain maximum performance.**
- l) Battery pack gives its best performance when it is operated at normal room temperature (20 °C ± 5 °C).**
- m) When disposing of battery packs, keep battery packs of different electrochemical systems separate from each other.**
- n) Recharge only with the charger specified by Kress. Do not use any charger other than that specifically provided for use with the equipment.**  
*A charger that is suitable for one type of battery pack may create a risk of fire when used with another battery pack.*
- o) Do not use any battery pack which is not designed for use with the equipment.**
- p) Keep battery pack out of the reach of children.**

- q) Retain the original product literature for future reference.
- r) Remove the battery from the equipment when not in use.
- s) Dispose of properly.
- t) Do not mix cells of different manufacture, capacity, size or type within a device.
- u) Do not remove battery pack from its original packaging until required for use.
- v) Observe the plus (+) and minus (-) marks on the battery and ensure correct use.

## SYMBOLS

	To reduce the risk of injury, user must read instruction manual
	Warning
	Wear ear protection
	Wear eye protection
	Wear dust mask
	Wear protective gloves
 Li-Ion	Li-Ion battery. This product has been marked with a symbol relating to 'separate collection' for all battery packs and battery pack. It will then be recycled or dismantled in order to reduce the impact on the environment. Battery packs can be hazardous for the environment and for human health since they contain hazardous substances.
 Li-Ion	
	Batteries may enter water cycle if disposed improperly, which can be hazardous for ecosystem. Do not dispose of waste batteries as unsorted municipal waste.
	Do not burn


	High speed
	Low speed
	Screwdriving
	Don't touch the machine if it overheats
	Lock

## COMPONENT LIST

1. FORWARD/ REVERSE ROTATION CONTROL
2. SOFT GRIP HANDLE
3. HOOK
4. BATTERY PACK RELEASE BUTTON
5. BATTERY PACK\*
6. ON/OFF SWITCH
7. VARIABLE 3-SPEED CONTROL BUTTON
8. LED LIGHT
9. 50MM SCREWDRIVER BIT (PH2)\*
10. BATTERY CAPACITY INDICATOR
11. COLLET LOCKING SLEEVE

\* Not all the accessories illustrated or described are included in standard delivery.

## TECHNICAL DATA

	KU290	KU290.9
Voltage	20V  Max**	
No-load speed	I: 0-900 /min II: 0-2400/min III: 0-3000/min	
Impact rate	I: 0-1200bpm II: 0-3300bpm III: 0-4000bpm	
Max torque	230N.m	
Chuck size	1/4" (6.35mm)	



Machine Weight	1.8kg	1.2kg
----------------	-------	-------

\*\* Voltage measured without workload. Initial battery voltage reaches maximum of 20 volts. Nominal voltage is 18 volts.

## ACCESSORIES

	KU290	KU290.9
Battery pack (20V 4.0Ah Li battery pack KPB2004)	2	/
Charger (20V 6.0A KA3705)	1	/
50mm screwdriver bit (PH2)	1	1
Hook	1	1
Bit clip	1	1

We recommend that you purchase your accessories from the same store that sold you the tool. Refer to the accessory packaging for further details. Store personnel can assist you and offer advice.

## OPERATION GUIDELINES



**NOTE:** Before using the tool, read the instruction book carefully.

### INTENDED USE

This tool is intended for the fastening and loosening of bolts, nuts and various threaded fasteners. This tool is not intended for use as a drill.

### ASSEMBLY AND OPERATION

ACTION	FIGURE
<b>BEFORE OPERATION</b>	
Checking the Battery Pack Condition	See Fig. A1
Removing the Battery Pack	See Fig. A2
Charging the Battery Pack	See Fig. A3
Installing the Battery Pack	See Fig. A4
<b>ASSEMBLY AND ADJUSTMENT</b>	
Assembling the Hook and Bit Clip	See Fig. B1, B2, B3, B4
Inserting the Bits	See Fig. C1
Removing the Bits	See Fig. C2


Forward / Reverse / Lock	See Fig. D1, D2, D3	
<p> <b>WARNING:</b> Never change the direction of rotation when the chuck is rotating, wait until it is stopped!</p>		
<b>OPERATION</b>		
Operating the On/Off Switch	See Fig. E	
<p> <b>WARNING: Do not operate for long periods at low speed because excess heat will be produced internally.</b></p>		
Variable 3-Speed		
<p>Press the red button to select preferred rotation speed, levels 1 to 3, with 3 being the fastest. The operating speed will be illuminated</p>		

### LED Light Indicator

Before operation, the light will be activated when the On/Off switch is slightly depressed, and will automatically turn off 10 seconds after the On/Off switch is released.

The tool and battery are equipped with a protection system. The Light will quickly flash (approximately once a second, and stop flashing when you release the trigger), the system will automatically cut off power to the tool to extend battery life. The tool will automatically stop during operation if the tool and/or battery are placed under one of the following conditions:

- **Overloaded:** The tool is operated in a manner that causes it to draw an abnormally high current. In this situation, release the Trigger Switch on the tool and stop the application that caused the tool to become overloaded. Then pull the Trigger Switch again to restart.
- **Overheated:** Under the condition above, if the tool does not start, the Tool and Battery are overheated. In this situation, let the Tool and Battery cool before pulling the Trigger Switch again.
- **Low battery voltage:** The remaining Battery capacity is too low and the tool will not operate. In this situation, remove and recharge the Battery.

 **WARNING:** To turn on the light, press the On/Off switch and make sure the Forward/Reverse Rotation Control is on right/left position.

See Fig. E

## MAINTENANCE

**Remove the battery pack from the tool before carrying out any adjustment, servicing or maintenance.**

**Your power tool requires no additional lubrication or maintenance.**

There are no user serviceable parts in your power tool. Never use water or chemical cleaners to clean your power tool. Wipe clean with a dry cloth. Always store your power tool in a dry place. Keep the motor ventilation slots clean. Keep all working controls free of dust. Occasionally you may see sparks through the ventilation slots. This is normal and will not damage your power tool.

## FOR BATTERY TOOLS

The ambient temperature range for the use and storage of tool and battery is 0°C-45°C (32°F-113°F).

The recommended ambient temperature range for the charging system during charging is 0°C-40°C (32°F-104°F).

## ENVIRONMENTAL PROTECTION



### Disposal

The machine, its accessories and packaging materials should be sorted for environmentally friendly recycling. The plastic components are labeled for categorized recycling.

## TROUBLE SHOOTING

### 1. I can not fit the battery into the battery charger. Why?

The battery can be inserted into the charger only in one direction. Turn the battery around until it can be inserted into the slot.

### 2. Reasons for different battery pack working times

Charging time problems, as above, and having not used a battery pack for a prolonged time will reduce the battery pack working time. This can be corrected after several charge and discharge operations by charging & working with your drill. Heavy working conditions such as large screws into hard wood will use up the battery pack energy faster than lighter working conditions. Do not re-charge your battery pack below 0°C (32 °F) and above 40°C (104 °F) as this will affect performance.

# БЕЗОПАСНОСТЬ ИЗДЕЛИЯ

## ОБЩИЕ ПРАВИЛА

### ТЕХНИКИ БЕЗОПАСНОСТИ

#### ПРИ РАБОТЕ С

## ЭЛЕКТРОИНСТРУМЕНТОМ

**⚠ ПРЕДОСТЕРЕЖЕНИЕ:** Внимательно ознакомьтесь с предостережениями и инструкциями по технике безопасности. Невыполнение всех нижеприведенных инструкций и рекомендаций может привести к поражению электрическим током, пожару и серьезным травмам.

**Сохраните все предостережения и инструкции для дальнейшего пользования.**

В дальнейшем термин “электроинструмент” используется как для работающего от сети (проводного) электроинструмента, так и для электроинструмента, работающего от аккумулятора (беспроводного).

#### 1. БЕЗОПАСНОСТЬ НА РАБОЧЕМ МЕСТЕ

- a) **Содержите рабочее место в чистоте и хорошо освещенным.** Загроможденные и плохо освещенные зоны способствуют возникновению несчастных случаев.
- b) **Не работайте с инструментом во взрывоопасной атмосфере, в присутствии воспламеняемых жидкостей, газов или пыли.** Возникающие при работе электроинструмента искры могут привести к воспламенению горючих веществ.
- c) **При работе с инструментом дети и посторонние должны находиться на безопасном расстоянии.** Отвлечение внимания может привести к потере вами контроля.

#### 2. ЭЛЕКТРОБЕЗОПАСНОСТЬ

- a) **Штепсельные вилки электроинструментов должны соответствовать розеткам. Никогда никоим образом не изменяйте соединительную вилку.** При заземленных электроинструментах не используйте никаких переходников. Неизменные вилки и соответствующие розетки снижают риск поражения электротоком.
- b) **Избегайте физического контакта с заземленными поверхностями, такими, как трубы, радиаторы, плиты и холодильники.** Риск поражения электротоком повышается, если ваше тело будет заземлено.
- c) **Не подвергайте электроинструменты воздействию дождя или высокой влажности.** Попадание воды в электроинструмент повышает опасность поражения электротоком.
- d) **Правильно обращайтесь с электрокабелем. Никогда не используйте кабель для переноски электроинструмента, а также не тяните за кабель для выключения**

из розетки. Держите кабель на безопасном расстоянии от источников тепла, масла, острых кромок и движущихся частей. Поврежденные или запутанные кабели повышают риск поражения электротоком.

- e) **При работе с электроинструментом вне помещений используйте удлинители, которые предназначены для работы на открытом воздухе.** Это снижает риск поражения электротоком.
  - f) **При использовании электроинструмента во влажном помещении его необходимо подключать к электросети через устройство защитного отключения (УЗО).** Использование УЗО снижает риск поражения электротоком.
- #### 3. ЛИЧНАЯ БЕЗОПАСНОСТЬ
- a) **Будьте внимательны: следите за тем, что вы делаете, и руководствуйтесь здравым смыслом, работая с электроинструментом. Не используйте электроинструмент, если вы устали или находитесь под воздействием сильнодействующих средств, алкоголя или медикаментов.** Потеря внимания даже на короткое мгновение при работе с электроинструментом может привести к серьезным травмам.
  - b) **Используйте индивидуальные средства защиты. Всегда надевайте средства защиты глаз.** Такие средства защиты, как респиратор, нескользящая защитная обувь, каска или защитные наушники, используемые в соответствующих условиях, снижают риск получения травм.
  - c) **Предотвращайте случайный запуск электроинструмента. Убедитесь, что выключатель находится в положении "Выключено" перед подключением к электросети и / или аккумуляторной батарее, сборкой или переносом электроинструмента.** Переноска инструмента с пальцем на кнопке пуска или включение в сеть электроинструмента с включенным выключателем способствует несчастному случаю.
  - d) **Удаляйте все регулировочные приспособления или гаечные ключи перед включением электроинструмента.** Оставленные на вращающихся деталях электроинструмента, они могут привести к травме.
  - e) **Не перенапрягайтесь. Постоянно занимайте устойчивое положение и поддерживайте равновесие.** Это позволяет лучше контролировать электроинструмент в непредвиденных ситуациях.
  - f) **Одевайтесь надлежащим образом. Не надевайте свободную одежду или украшения. Держите волосы, одежду и перчатки на расстоянии от движущихся частей.** Свободную одежду, украшения или длинные волосы может затянуть в движущиеся части.
  - g) **Используйте предусмотренные**

средства и устройства для сбора и удаления пыли, если инструмент оснащен такими. Использование таких средств может снизить опасности, связанные с пылью.

- h) Не позволяйте осведомленности, полученной в результате частого использования инструментов, заставить вас расслабиться и игнорировать принципы техники безопасности при работе с инструментом.** Неосторожное действие может привести к серьезным травмам в течение доли секунды.

#### **4. ИСПОЛЬЗОВАНИЕ ЭЛЕКТРОИНСТРУМЕНТА И УХОД ЗА НИМ**

- a) Не перегружайте электроинструмент. Используйте подходящий инструмент для каждой определенной цели.** Правильно подобранный электроинструмент выполнит работу лучше и надежнее на уровне, для которого он предназначен.
- b) Не используйте электроинструмент, если выключатель невозможно включить или выключить.** Любой электроинструмент, который невозможно контролировать выключателем, представляет опасность и должен быть отремонтирован.
- c) Отсоедините штепсель от электросети и / или аккумуляторную батарею от электроинструмента перед проведением каких-либо настроек, сменой насадок или хранением электроинструмента.** Подобные предохранительные меры снижают опасность случайного пуска электроинструмента.
- d) Храните не использующиеся электроинструменты в местах, недоступных для детей. Не разрешайте работать с электроинструментом лицам, которые не знают его особенностей или не ознакомлены с данной инструкцией.** Электроинструменты в руках необученных пользователей представляют опасность.
- e) Поддерживайте электроинструмент в исправном состоянии. Проверяйте инструмент на предмет смещения или заедания движущихся частей, поломки деталей или любых иных неисправностей, могущих повлиять на работу электроинструмента. В случае повреждения следует отремонтировать электроинструмент перед применением.** Многие несчастные случаи вызваны плохим уходом за электроинструментом.
- f) Режущий инструмент должен быть заточенным и чистым.** При поддержании режущих инструментов в надлежащем состоянии и с острыми режущими кромками вероятность их заклинивания уменьшается и ими легче управлять.
- g) Используйте электроинструмент, принадлежности, сверла и т. п. в соответствии с данными инструкциями, спецификой**

**конкретного типа электроинструмента, учитывая условия работы и выполняемую задачу.** Использование электроинструмента для иных операций, помимо тех, для которых он предназначен, может привести к возникновению опасной ситуации.

- h) Ручки и поверхности для захвата должны быть сухими, чистыми и без следов масла и смазки.** Скользкие ручки и поверхности для захвата не позволяют безопасно обращаться с инструментом и контролировать его в непредвиденных ситуациях.

#### **5. ИСПОЛЬЗОВАНИЕ АККУМУЛЯТОРНОГО ИНСТРУМЕНТА И УХОД ЗА НИМ**

- a) Производите зарядку аккумулятора только при помощи оригинального зарядного устройства.** Зарядное устройство, которое подходит для одного типа аккумуляторной батареи, может привести к пожару, когда используется с другим типом аккумуляторной батареи.
- b) Используйте аккумуляторный инструмент только с оригинальными аккумуляторами.** Использование любого другого типа аккумулятора может привести к травме или пожару.
- c) Неиспользуемые аккумуляторные батареи храните отдельно от металлических предметов, таких как скрепки для бумаги, монеты, ключи, гвозди, винты и тому подобное, которые могут замкнуть контакты батареи.** Замыкание контактов аккумуляторной батареи может привести к ожогам или пожару.
- d) В критических ситуациях из аккумулятора может вытекать жидкость – избегайте контакта с ней. Если жидкость все же попала на поверхность кожи, смойте ее большим количеством воды.** При попадании жидкости в глаза срочно обратитесь за медицинской помощью. Жидкость, вытекшая из аккумулятора, может вызвать раздражение или ожоги.
- e) Не используйте аккумуляторную батарею или инструмент, который поврежден или модифицирован.** Поврежденные или модифицированные аккумуляторные батареи могут срабатывать непредсказуемым образом, что может привести к пожару, взрыву или риску получения травмы.
- f) Не подвешивайте аккумуляторную батарею или инструмент воздействию огня или чрезмерно высокой температуры.** Воздействие огня или температуры выше 130 °C может привести к взрыву.
- g) Следуйте всем инструкциям по зарядке и не заряжайте аккумулятор или инструмент вне диапазона температур, указанного в инструкциях.** Неправильная зарядка или температура, выходящая за пределы указанного диапазона, может повредить аккумулятор и повысить риск возгорания.

## 6. СЕРВИСНОЕ ОБСЛУЖИВАНИЕ

- a) **Ремонт электроинструмента должен выполняться квалифицированным персоналом с использованием только оригинальных запасных частей.** Это гарантирует безопасность его использования.
- b) **Никогда не обслуживайте поврежденные аккумуляторы.** Обслуживание аккумуляторных батарей должно выполняться только производителем или авторизованными поставщиками сервисных услуг

## ПРАВИЛА ТЕХНИКИ БЕЗОПАСНОСТИ ПРИ РАБОТЕ С ВИНТОВЕРТОМ

- 1. **Держите электроинструмент за изолированные поверхности для захвата, когда выполняете операцию, в которой крепеж может коснуться скрытой проводки.** Крепеж, контактирующий с проводом под напряжением, может способствовать тому, что металлические детали электроинструмента окажутся под напряжением, и это может привести к поражению электрическим током.

## ПРАВИЛА ТЕХНИКИ БЕЗОПАСНОСТИ ДЛЯ АККУМУЛЯТОРНОЙ БАТАРЕИ

- a) **Не допускается разбирать, вскрывать, измельчать элементы питания и аккумуляторную батарею.**
- b) **Не допускается накоротко замыкать элементы питания или аккумулятор.** Не допускается беспорядочно хранить элементы питания или аккумулятор в коробке или ящике, где они могут замкнуть друг друга или могут быть замкнуты другими металлическими предметами. Если аккумуляторная батарея не используется, держите ее подальше от металлических предметов, таких как зажимы, монеты, гвозди, винты и прочие металлические предметы небольшого размера, которые могут соединить клеммы друг с другом. Короткое замыкание клемм батареи может стать причиной ожогов или пожара.
- c) **Не допускается подвергать аккумуляторную батарею воздействию высоких температур или пламени.** Избегайте хранения аккумуляторной батареи в местах, подверженных воздействию прямого солнечного света.
- d) **Не допускается подвергать аккумуляторную батарею механическим ударам**
- e) **В случае протечки аккумуляторной батареи, не допускайте контакта электролита с кожей или глазами.** В случае такого контакта необходимо промыть

пораженный участок обильным количеством воды и обратиться за медицинской помощью.

- f) **В случае проглатывания элемента питания или аккумулятора необходимо незамедлительно обратиться за медицинской помощью.**
- g) **Аккумуляторную батарею необходимо содержать в чистоте и сухости.**
- h) **В случае загрязнения контактов аккумуляторной батареи их необходимо протереть чистой сухой тканью.**
- i) **Аккумуляторную батарею необходимо заряжать перед использованием.** Всегда следуйте данной инструкцией и используйте правильный порядок зарядки.
- j) **Не допускается оставлять аккумулятор на зарядном устройстве, если он не используется.**
- k) **После продолжительного хранения может потребоваться несколько раз зарядить и разрядить аккумуляторную батарею для достижения максимальной эффективности ее работы.**
- l) **Аккумуляторная батарея работает наиболее эффективно при нормальной комнатной температуре (20°C ±5°C).**
- m) **При утилизации аккумуляторных батарей держите их отдельно от других электромеханических систем.**
- n) **Используйте только зарядные устройства, указанные Kress. Не допускается использовать какие-либо зарядные устройства, за исключением специально предназначенных для данного оборудования.** Зарядное устройство, которое подходит для одной аккумуляторной батареи, может стать причиной пожара при использовании с другой аккумуляторной батареей.
- o) **Не допускается использовать какие-либо аккумуляторные батареи, не предназначенные для использования с данным оборудованием.**
- p) **Храните аккумуляторную батарею в местах, недоступных для детей.**
- q) **Следует сохранить оригинальную документацию на изделие для будущего использования.**
- r) **По возможности извлекайте аккумуляторную батарею из изделия, если она не используется.**
- s) **Утилизируйте аккумуляторную батарею должным образом.**
- s) **Утилизируйте аккумуляторную батарею должным образом.**
- t) **Не используйте аккумуляторы сторонних производителей**
- u) **Не вынимайте аккумуляторы из оригинальной упаковки, пока он не понаблюдится.**
- v) **Соблюдайте полярность батареи, убедитесь в правильном совмещении контактов (+) и (-).**

## УСЛОВНЫЕ ОБОЗНАЧЕНИЯ

	Для сокращения риска травмы пользователь должен прочитать руководство по эксплуатации инструмента
	Предостережение
	Носите защиту органов слуха
	Носите защиту органов зрения
	Носите пылезащитную маску
	Используйте защитные перчатки
	Не выбрасывайте аккумуляторы. Возвратите использованные аккумуляторы на местный пункт сбора или утилизации.
	Запрещается подвергать воздействию дождя или влаги
	Запрещается сжигать
	Высокая скорость
	Низкая скорость
	Режим шурупверт
	Запрещается прикасаться к инструменту, если он перегревается
	Замок

## ПЕРЕЧЕНЬ КОМПОНЕНТОВ

1. ПЕРЕКЛЮЧАТЕЛЬ ВРАЩЕНИЯ ВПЕРЕД / ОБРАТНОГО ВРАЩЕНИЯ
2. РУЧКА В МЯГКОЙ ОБОЛОЧКЕ
3. КРЮК
4. КНОПКА ВЫСВОБОЖДЕНИЯ АККУМУЛЯТОРНОЙ БАТАРЕИ
5. АККУМУЛЯТОРНАЯ БАТАРЕЯ\*
6. ПЕРЕКЛЮЧАТЕЛЬ ВКЛ./ВЫКЛ.
7. КНОПКА РЕГУЛИРОВКИ СКОРОСТИ ВРАЩЕНИЯ: 3 РЕЖИМА
8. СВЕТОДИОДНАЯ ПОДСВЕТКА
9. БИТА КРЕСТОВАЯ 50 ММ (PH2)\*
10. ИНДИКАТОР УРОВНЯ ЗАРЯДКИ АККУМУЛЯТОРНОЙ БАТАРЕИ
11. ФИКСИРУЮЩАЯ ВТУЛКА ЦАНГОВОГО ЗАЖИМА

\* Не все показанные или описанные аксессуары включены в стандартную поставку.

## ТЕХНИЧЕСКИЕ ДАННЫЕ

	KU290	KU290.9
Расчетное напряжение	20V  Max**	
Скорость без нагрузки	I: 0-900 / min II: 0-2400/min III: 0-3000/min	
Скорость ударного воздействия	I: 0-1200bpm II: 0-3300bpm III: 0-4000bpm	
Максимальный крутящий момент	230N.m	
Размер зажимного патрона	1/4" (6.35mm)	
Вес инструмента	1.8kg	1.2kg

\*\*Напряжение измерено без рабочей нагрузки. Первоначальное напряжение аккумулятора достигает максимум 20 В. Номинальное напряжение составляет 18 В.

## АКСЕССУАРЫ

	KU290	KU290.9
Аккумуляторная батарея (литиевая аккумуляторная батарея 20 В 4,0 Ач KPB2004)	2	/
Зарядное устройство (20 В 6,0 А КА3705)	1	/
Бита крестовая 50 мм (PH2)	1	1
Крюк	1	1
зажим для наконечника	1	1

Мы рекомендуем вам приобрести аксессуары в

том же магазине, где вам продали инструмент. Для получения дополнительной информации см. упаковку. Сотрудники магазина смогут помочь вам и дать

## ИНСТРУКЦИИ ПО ЭКСПЛУАТАЦИИ





**ПРИМЕЧАНИЕ:** Перед использованием инструмента внимательно прочитайте инструкцию.

### ПРЕДУСМОТРЕННОЕ ИСПОЛЬЗОВАНИЕ

Инструмент предназначен для закрепления и ослабления болтов, гаек и различных резьбовых крепежных элементов. Данный инструмент не предназначен для использования в качестве дрели.

### СБОРКА И ЭКСПЛУАТАЦИЯ

ДЕЙСТВИЕ	РИСУНОК
<b>ПЕРЕД ЭКСПЛУАТАЦИЕЙ</b>	
Проверка состояния аккумуляторной батареи	См. Рис. А1
Извлечение аккумуляторной батареи	См. Рис. А2
Зарядка аккумуляторной батареи	См. Рис. А3
Установка аккумуляторной батареи	См. Рис. А4
<b>СБОРКА И РЕГУЛИРОВКА</b>	
Установка крючка на пояс и фиксация бит в держателе	См. Рис. В1, В2, В3, В4
Установка оснастки(бит)	См. Рис. С1
Удаление оснастки(бит)	См. Рис. С2
Переключатель вращения вперед / обратного вращения / блокировки	
 <b>ПРЕДОСТЕРЕЖЕНИЕ:</b> Запрещается менять направление вращения, когда зажимной патрон вращается. Подождите, пока он остановится!	См. Рис. D1, D2, D3
<b>ЭКСПЛУАТАЦИЯ</b>	
<b>Работа с переключателем Вкл./Выкл.</b>	
 <b>ПРЕДОСТЕРЕЖЕНИЕ:</b> Не работайте в течение длительного времени на низкой скорости, потому что внутри инструмента будет вырабатываться избыточное количество тепла. Регулятор 3 режимов скорости	
Нажмите на красную кнопку, чтобы выбрать предпочтительную скорость вращения; имеются уровни от 1 до 3, при этом режим № 3 - самая быстрая скорость вращения. Используемый режим скорости будет подсвечен индикатором.	См. Рис. Е

### Индикатор подсветки


Перед работой индикатор будет активирован, когда переключатель Вкл./Выкл. слегка нажат, и автоматически выключится через 10 секунд после отпускания переключателя.

Инструмент и аккумуляторная батарея оснащены системой защиты. Светодиодный индикатор начинает быстро мигать (приблизительно раз в секунду, и перестает мигать при отпуске пускового рычага), система автоматически отключает питание инструмента, чтобы продлить срок службы батареи. Инструмент автоматически остановится во время работы, если инструмент и / или аккумуляторная батарея находятся под воздействием одного из следующих условий:

- **Перегрузка:** инструмент работает таким образом, что он потребляет аномально высокий ток. В этом случае отпустите пусковой выключатель на инструменте и прервите операцию, которая вызвала перегрузку инструмента. Затем снова потяните пусковой выключатель, чтобы возобновить работу.

- **Перегрев:** при описанных выше условиях, если инструмент не запускается, это означает, что инструмент и аккумуляторная батарея перегреваются. Дайте инструменту и аккумулятору остыть, прежде чем снова нажимать на пусковой выключатель.

- **Низкое напряжение аккумулятора:** оставшаяся мощность аккумуляторной батареи слишком мала, и инструмент не будет работать. В таком случае, извлеките и зарядите аккумулятор.

 **ПРЕДОСТЕРЕЖЕНИЕ:** Чтобы включить подсветку, нажмите на переключатель Вкл./Выкл. и убедитесь, что переключатель вращения вперед / обратного вращения находится в правом / левом положении.

См. Рис. Е

## ВОЗМОЖНЫЕ ПРОБЛЕМЫ

### 1. Я не могу вставить батарею в зарядное устройство. Почему?

Батарея может быть установлена в зарядное устройство только 1 стороной, попробуйте найти подходящее положение для установки.

### 2. Причины непостоянного времени работы батареи.

Проблемы со временем зарядки и работы инструмента, могут возникать из-за длительного простоя аккумулятора. Данную проблему можно исправить после нескольких циклов заряда-разряда аккумулятора и работы с ним. Тяжелые условия работы, такие как заворачивание

больших саморезов в дерево, требуют больше энергии от батареи и разряжают ее быстрее, нежели более легкие задачи. Не заряжайте вашу батарею при температуре ниже 0°C и выше 40°C, так как это может отразиться на ее производительности.

## ТЕХНИЧЕСКОЕ ОБСЛУЖИВАНИЕ

Снимите аккумуляторную батарею с инструмента перед выполнением любых наладочных работ, технического обслуживания или ремонта.

Электроинструмент не требует дополнительной смазки или обслуживания.

В электроинструменте отсутствуют детали, подлежащие обслуживанию пользователем. Никогда не используйте воду или химические чистящие средства для чистки электроинструмента. Протирайте его сухой тканью.

Всегда храните электроинструмент в сухом месте. Содержите в чистоте вентиляционные отверстия двигателя. Очищайте от пыли все рабочие органы управления. Иногда через вентиляционные отверстия вы можете увидеть искры. Это нормально и не повредит ваш электроинструмент.

## ДЛЯ АККУМУЛЯТОРНОГО ИНСТРУМЕНТА

Диапазон температуры окружающей среды для использования и хранения инструмента и аккумулятора составляет 0°C -45°C .

Рекомендуемый диапазон температуры окружающей среды для системы зарядки во время зарядки составляет 0°C -40°C .

## ЗАЩИТА ОКРУЖАЮЩЕЙ СРЕДЫ



### Утилизация

Инструмент, его аксессуары и упаковочные материалы должны быть отсортированы для экологически безопасной переработки. Пластиковые компоненты оснащены маркировкой для вторичной переработки.

---

### СТРАНА ТЕЛЕФОН ТЕХПОДДЕРЖКИ АВТОРИЗОВАННЫЙ СЕРВИСНЫЙ ЦЕНТР

---

Россия 7 (495) 136-83-96 Российская Федерация, 117342, г. Москва, ул. Бутлерова, д. 17, этаж 3 ком 67



16

RU

# EAC

Импортер: ООО «ПОЗИТЕК-ЕВРАЗИЯ»

Адрес: Российская Федерация, 117342, г. Москва, ул. Бутлерова, д. 17, этаж 3 ком 67

Страна производства: КНР

Изготовитель: Позитек Технолоджи (КНР) Ко. Лтд.

Адрес: Донгванг Роуд, 18, Сучжоу Индастриал Парк, Цзянсу, КНР

Срок службы изделия: 6 лет

Срок гарантии: 3 года

Дата производства изделия: указана на изделии

Телефон сервисной службы ООО «ПОЗИТЕК-ЕВРАЗИЯ»: 7 (495) 136-83-96

Электронная почта [service.ru@positecgroup.com](mailto:service.ru@positecgroup.com)

Elektrowerkzeuge  
**Kress**